

# Pipe Inspection System

Operating Instruction Manual



Thank you for purchasing our product  
Please read this operation instruction manual carefully before use, and follow the manual to install and use it. Additionally, please pay attention to the security precautions.

## Product Specification

Item:parameter

Charger:100VAC-2240VAC DC12V 2000MA

Battery:storage battery/aluminium-cell arrester4.5AH

continuous use time for battery:approximate 9h

max. investigation depth/material:/20/30/50m(selectable line length)/fiber tube with /high intensity

camera light source:12 LED with high white light(adjustable)

camera viewing angle:110°

camera size/material:45MM\* 23MM /stainless steel

camera protective cover parts size/material:40MM\* 30MM  
/plastic-steel

camera depth:400MM (approximate)

camera picture:color

video sharpness: 420

SD/TF card:max. support 16G, factory configuration 1G

Operating temperature:-20-60°

Storage temperature:-50-60°

Aluminium box size:460\*360\*190mm

Package size:560\*456\*270mm

Switchboard net weight:8.0KG

Packaging machine weight:9.0KG

## Product service warranty CARDS

Name:	Tele:	
Address:		
Name of commodity	Model:	
Purchase date:		
Invoice Numbers:		
Dealers:	Tele:	Contact:
Fault description:		

## Common Machine Malfunction & Processing

Malfunction	Processing
no electricity , and indicator light inoperative	<ol style="list-style-type: none"> <li>1. Check whether the monitor and cell box connect well or not;</li> <li>2. Whether there's electricity in cell or not, charge and try again</li> </ol>
no picture, but monitor works	<ol style="list-style-type: none"> <li>1. Check proper twist between the camera and coil</li> <li>2. Whether coil and cell box connect well or not</li> <li>3. Whether coil works well or not</li> </ol>
Failure of taking videos	<ol style="list-style-type: none"> <li>1. Format the new card</li> <li>2. Whether the card inserts well</li> <li>3. Press REC after taking videos and then exit, in this way can pack and save videos</li> </ol>
Failure of charging	<ol style="list-style-type: none"> <li>1. Whether the indicator light on the charger is operative or not</li> <li>2. Whether the DC plug inserts well</li> </ol>

## Reserve this instruction

### Attentions

1. Read the instructions seriously prior to utilization.
2. No throwing or pressure with strength.
3. No guarantee repair for users' voluntary unpacking or spoilage.
4. Copy your materials prior to connection of SD/TF card, for any results caused by material loss, the factory bears no responsibility.
5. No sudden outage in video and play, this may destroy products and video files.

## Range of Application

1. Use it with mini-video camera with the tube diameter as 23-120MM
2. Water-supply pipe
3. Air-conditioner pipe
4. Cable pipe
5. Pipeline vacuum system
6. PLUNBIN pipe
7. Buildings
8. Sunken pipe

## Instruction for Product Interface:

1. display: GSY9000
- 1) power light (red)
- 2) image display zone
- 3) LOLG
- 4) left (L)
- 5) right (R)
- 6) menu



1. display: GSY9000DVR
- 1) power light (red)
- 2) CHECK/NEXT
- 3) image display
- 4) TF
- 5) MENU/PLAY
- 6) REC
- 7) CHECK/QUIT
- 8) PHOTO/DEL



## Accessories Picture:

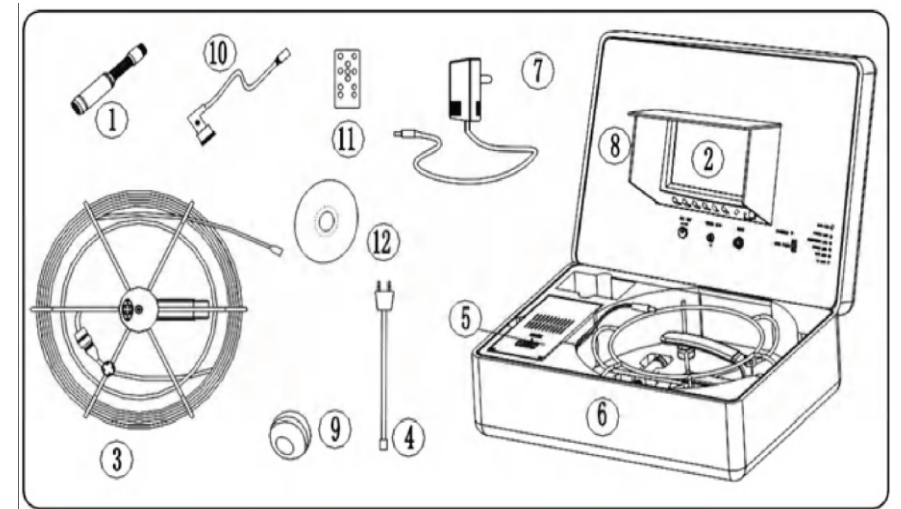
### Component Description

1. Camera
2. Monitor
3. Connecting line
4. Protective cover (plastic steel)
5. Cell box (storage battery/ aluminium-cell, both optional)
6. Aluminium box
7. Charger
8. Sun shade

Accessory 1 SD/TF card: standard configuration 1G

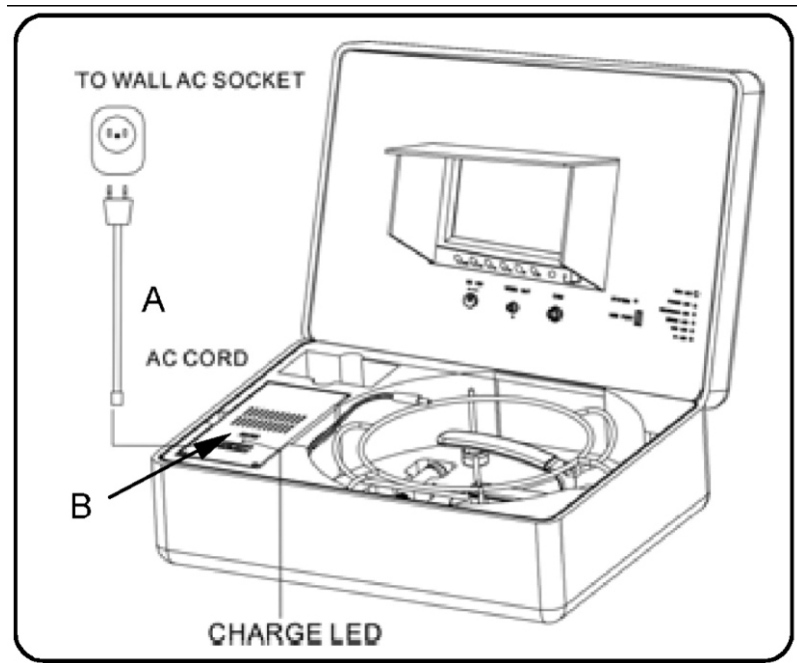
GSY-9000DVR

Accessory2 card reader (convenience for copying users' materials into the computer) GSY-9000DVR



## Charging Schematic Diagram:

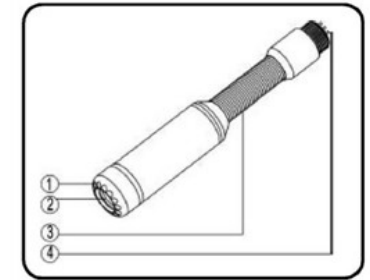
1. Connect the output end of the charger to the cell box
2. Plug the input end of the charger in the AC100V-240V AC outlet
3. Red indicator light on the charger shows recharging state, and green light shows the battery is filled. Ordinary charging time is 8-10 hours.



Notes: no work for machines in charging process, no excessive charging, overtime charging will damages battery or causes acidity to infiltrate from the battery.

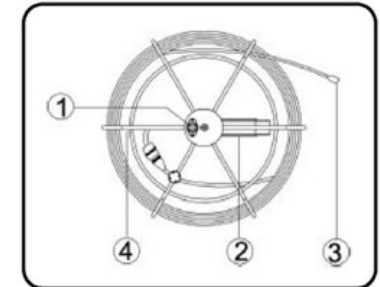
## 1. camera

- 1) highlight white LED
- 2) camera lens
- 3) spring
- 4) metal contact chip



## 2. coil

- 1) coil plug to the cell box
- 2) hand shank
- 3) camera wire interface
- 4) coil



## 3. cell box

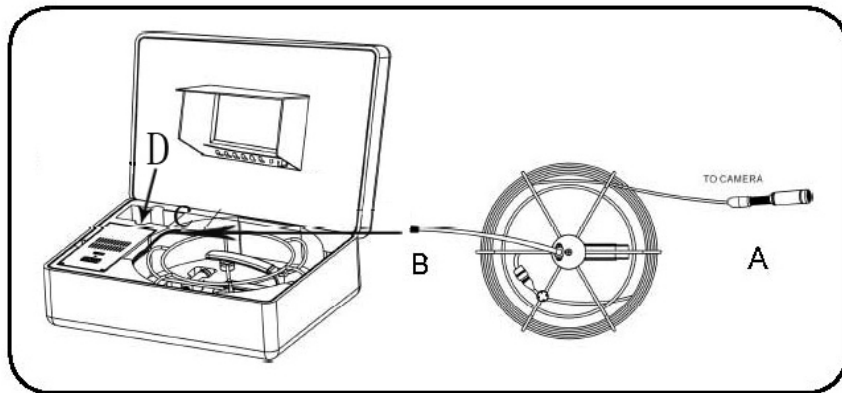
- 1) power switch
- 2) light-degree adjustment for white light LED
- 3) AV output
- 4) power input for charger
- 5) adjacent coil plug
- 6) adjacent monitor plug



## System Installation:

1. Vital: turn off the power switch, connect the video camera and the monitor, or the video camera and the monitor may be damaged.
2. Connect camera A-coil B-cell box C-monitor D (Pic.1)
3. Turn on the power switch in the power box, the indicator light on the monitor is on, the switchboard starts.
4. Install the video camera with the protective cover slightly and put it into the pipe, rotate coil to proper depth.
5. Adjust LED light degree adjuster to proper light degree.  
For videotape, refer to the DVR operation details (display operation: GSY-9000DVR)
6. Switch video to another large screen through video line.
7. After utilization, mover the camera from the pipe carefully, take clean, soft and dry cloth to clear up it and put it back.

Picture 1



## Display operation: GSY9000

1. open the power switch of the battery holder after connecting the connecting line, displayer begin to work
2. Press the MENU key into the brightness Settings, press the button around from 0 to 100 set brightness
3. Press the MENU key into the contrast Settings, press the button around from 0 to 100 set contrast
4. Press the MENU key into the color setting, press the button around from 0 to 100 degrees set color
5. Press the MENU key exit Settings
6. After use off battery case on the power, the monitor stop working

## Display operation: GSY-9000DVR

### 1. REC & CHECK

- 1) Press REC key, video starts, REC mark shows on the top left corner, and REC time on the left bottom
- 2) Re-press REC key in the video process, stop video, pack and save it. Automatic package and save will be accomplished within the setting time if no re-press.
- 3) Press CHECK/NEXT shows the video has been done. Press REC or CHECK/NEXT to select video pack, and then press MENU/PLAY to start re-play the video.
- 4) Press CHECK/QUIT to quit.

### 2. PHOTO & CHECK

- 1) Press PHOTO/DEL, take and save photos.
- 2) Press CHECK/QUIT to check photos, press DEL or CHECK/NEXT to select the photo details.
- 3) Press CHECK/QUIT to quit.

### 3. SETTING

- 1) Press MENU/PLAY to enter the menu.
- 2) Re-press MENU/PLAY to select setting details, including data setting, time setting, video setting, light degree setting, contrasting setting, color setting, etc.
- 3) Press CHECK/NEXT or REC to set the selected details.
- 4) Press CHECK/QUIT to quit.

### 4. DELETE

- 1) Delete photos. Press CHECK/QUIT to enter saved photo pack, press REC or CHECK/NEXT to select photos to be deleted, press PHOTO/DEL to delete them.
- 2) Delete videos. Press CHECK/QUIT to enter saved video pack, press REC or CHECK/NEXT to select videos to be deleted, press PHOTO/DEL to delete them.